

19" Rackmount installation for PRO EX

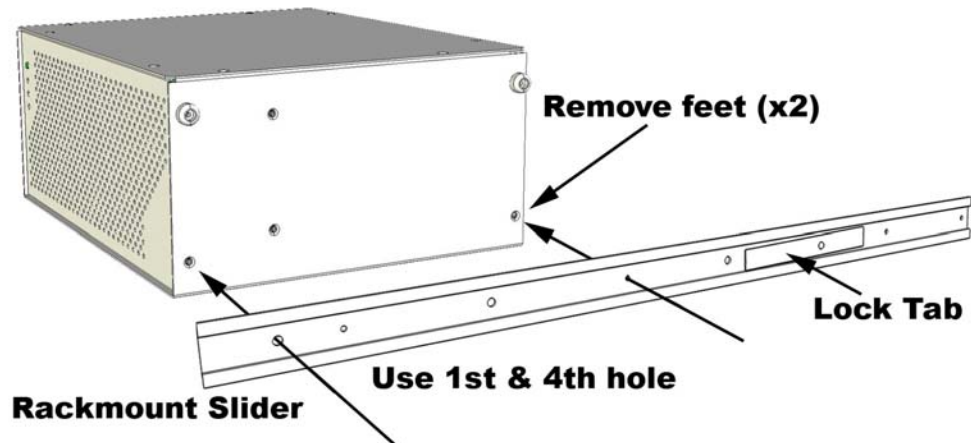
1) Mount the Slider on the PRO EX.

Position the PRO EX as shown with front on left, feet side towards you.

Orient the Slider with the Lock Tab on towards the rear.

Remove the two bottom feet and mount the Slider to their mount points.

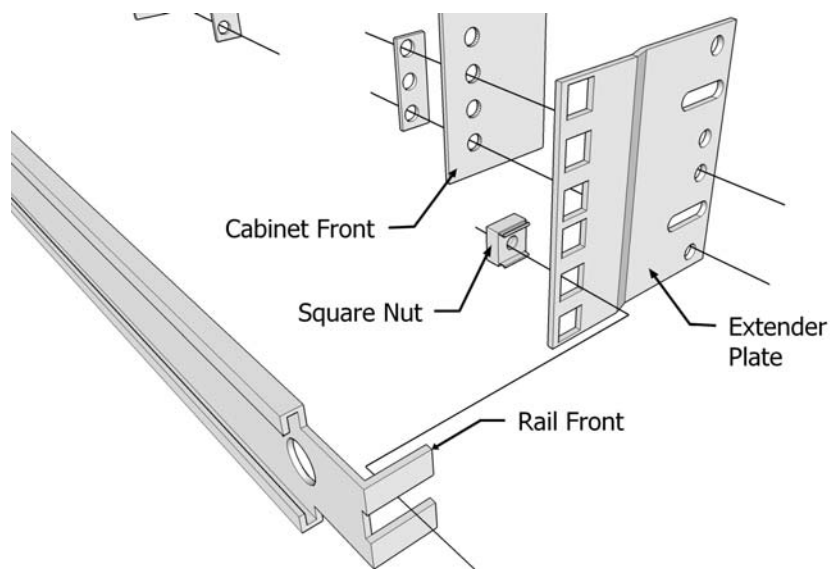
Do the same on the other side (no feet on other side).



2) Mount the Rails to the front of the rack.

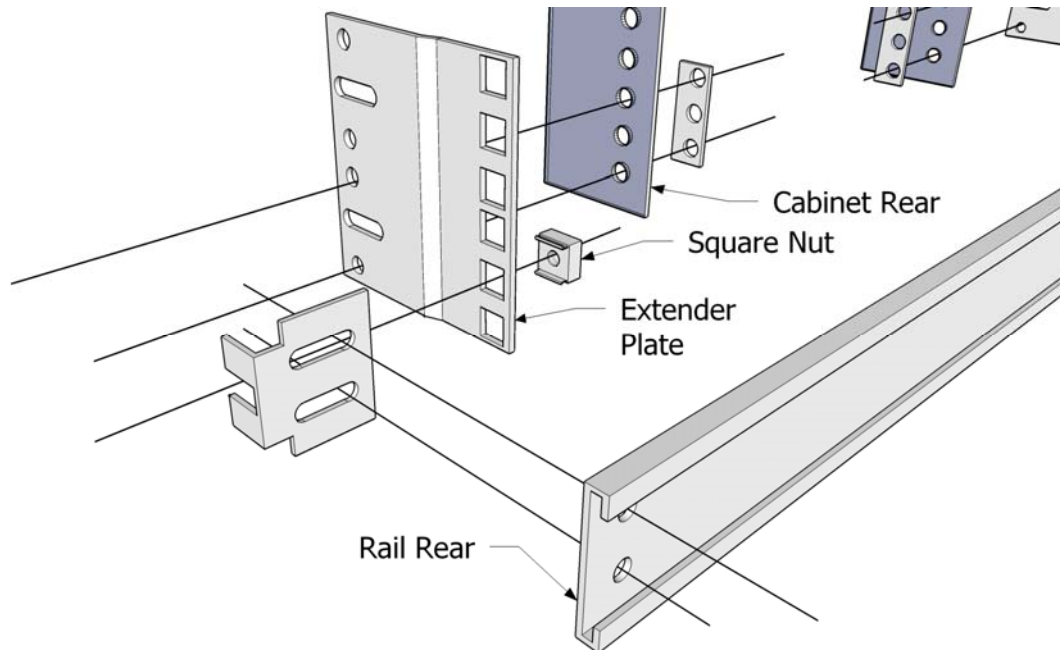
Mount the Extender Plate to left and right front of cabinet as shown.

Mount the Square Nut to 2nd opening from bottom.



19" Rackmount installation for PRO EX

- 3) Mount the Rails to the rear of the rack.



- 4) Installing the PRO EX to the rack.

Install the PRO EX by aligning the left and right Sliders to the left and right side Rails. Some adjustments might be needed to Rail left and right positions.

Standard depth 26" Rail fits from 24 ½" to 26 ½".
Extension bracket add-on fits from 18 ¾" to 32 ½"