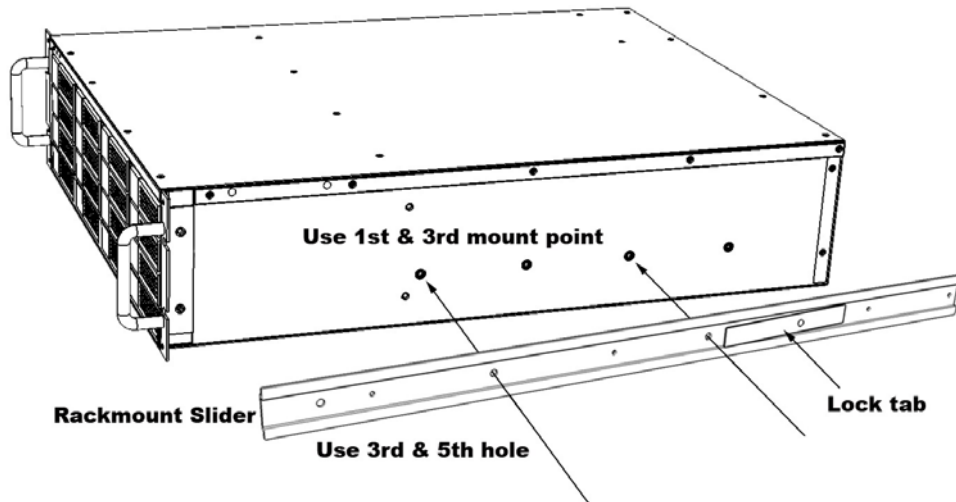
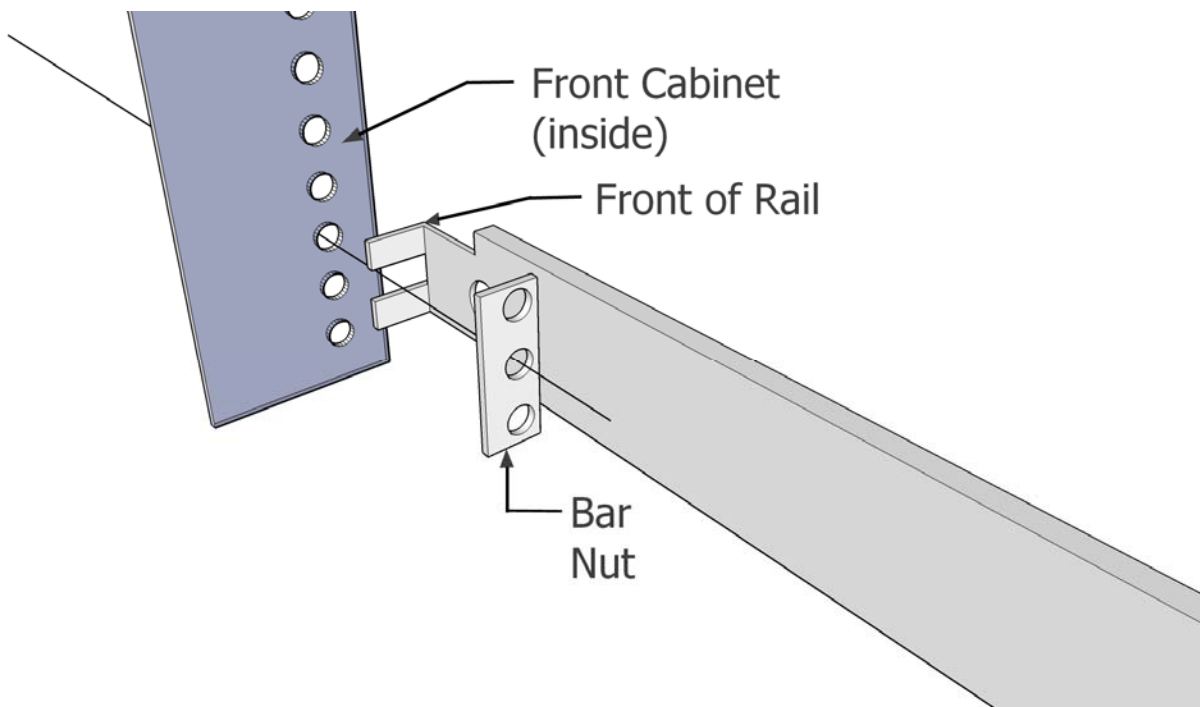


## 19" Rackmount Installation for PRO FC and PRO RX.

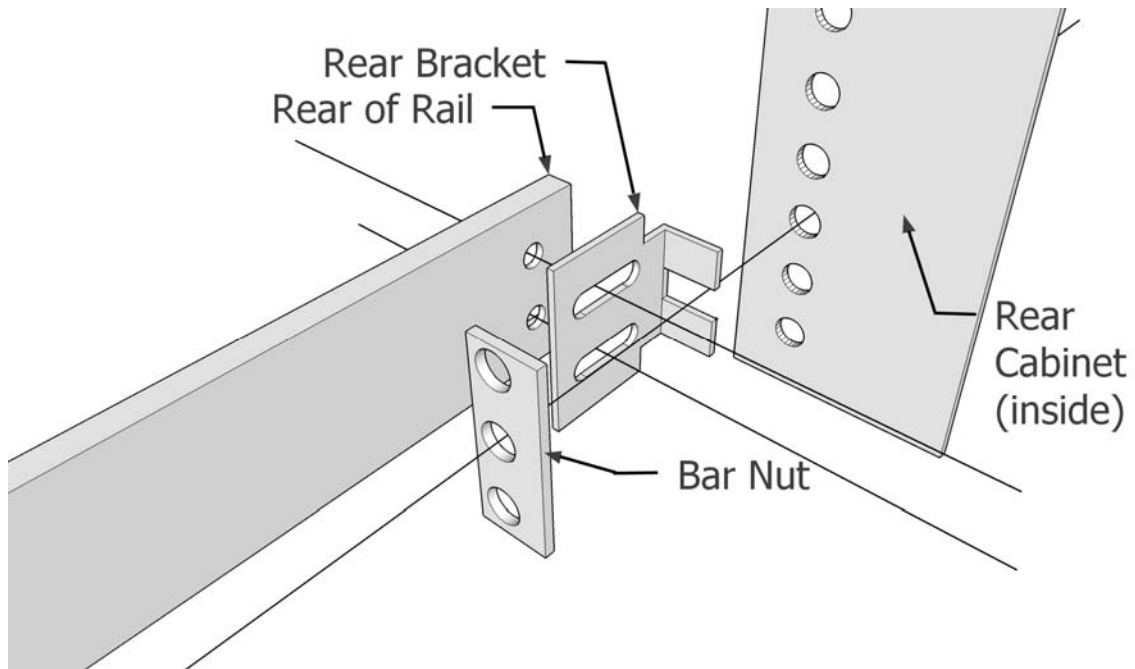
- 1) Mount the Sliders on the unit's left and right side.  
Orient the Slider with the Lock Tab towards the rear of the unit.  
Mount with two screws on each side matching the holes and mount point as illustrated.



- 2) Mount the Rails to the rack.  
Position the Rail inside the cabinet and mount with the brackets with the Bar Nets as illustrated.



## 19" Rackmount Installation for PRO FC and PRO RX.



### 3) Installing the unit to the rack.

Due to weight consideration, install the disk drives after the unit is installed on the rack.

Install the unit by aligning the left and right Sliders to the left and right side Rails, slide the unit into place.

Standard depth 26" Rail fits from 24 ½" to 26 ½".  
Extension bracket add-on fits from 18 ¾" to 32 ½"